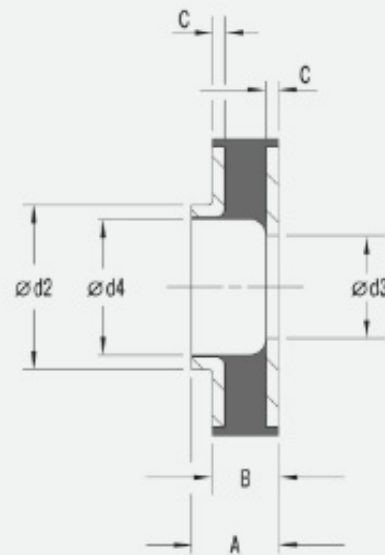
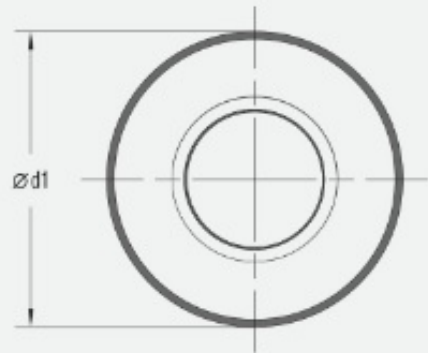


## Technical Details

### CGM3614M

#### Universal Connection Isolators



#### DIMENSIONS

d1	36 mm
d2	18 mm
d3	8.5 mm
d4	12 mm
A	10 mm
B	14 mm
C	1.5 mm

#### TECHNICAL DATA

Natural frequency 14.1 Hz to 22.4 Hz Hz

Load range 53.8 kg to 134.6 kg kg

Operating temperature range -40 °C to +70 °C

Environment Resistant against UV radiation

Material Outer body: zinc plated steel; Isolation medium: natural rubber

#### NOTE

Fail-safe with the use of stop washers. Simple design.

#### MOUNTING INFORMATION

Suitable for loads in pressure direction.

#### ON REQUEST

Special options.

#### SALES DATA

Weight

0.040 kg

Customs tariff number

40169991

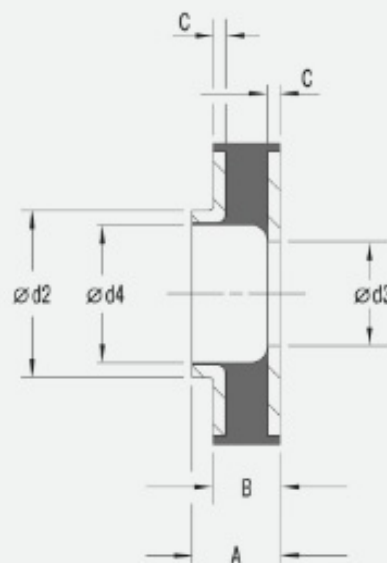
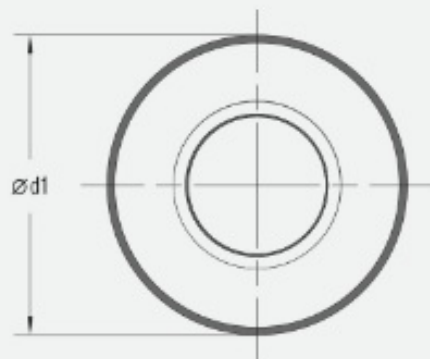
Country of origin

CN

## Technical Details

### CGM5023M

#### Universal Connection Isolators



#### DIMENSIONS

d1	50 mm
d2	23 mm
d3	16.5 mm
d4	20 mm
A	13 mm
B	22.5 mm
C	1.5 mm

#### TECHNICAL DATA

Natural frequency 12.7 Hz to 20.0 Hz Hz

Load range 85.7 kg to 214.1 kg kg

Operating temperature range -40 °C to +70 °C

Environment Resistant against UV radiation

**Material** Outer body: zinc plated steel; Isolation medium: natural rubber

#### NOTE

Fail-safe with the use of stop washers. Simple design.

#### MOUNTING INFORMATION

Suitable for loads in pressure direction.

#### ON REQUEST

Special options.

#### SALES DATA

**Weight**

0.070 kg

**Customs tariff number**

40169991

**Country of origin**

CN